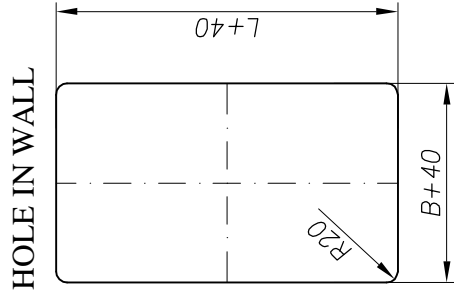
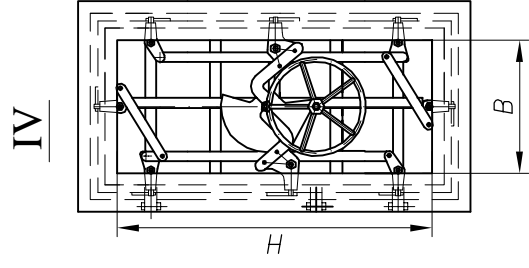
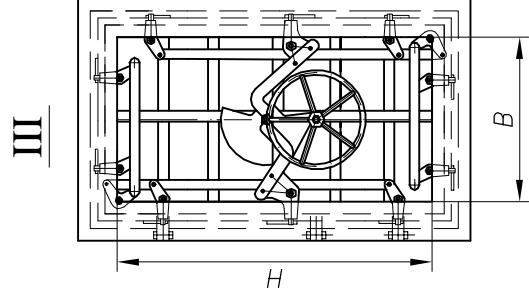
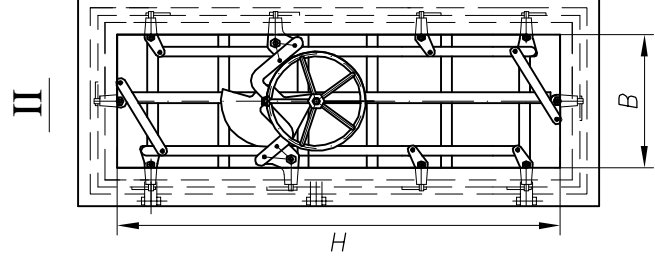
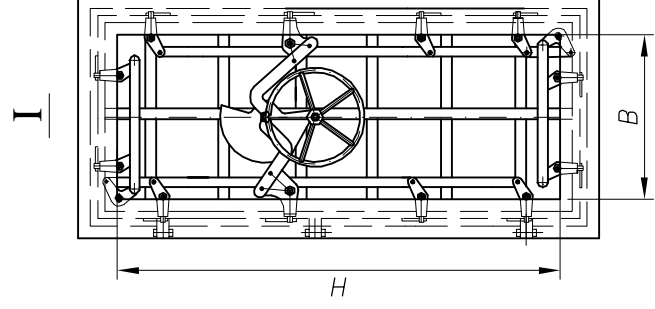
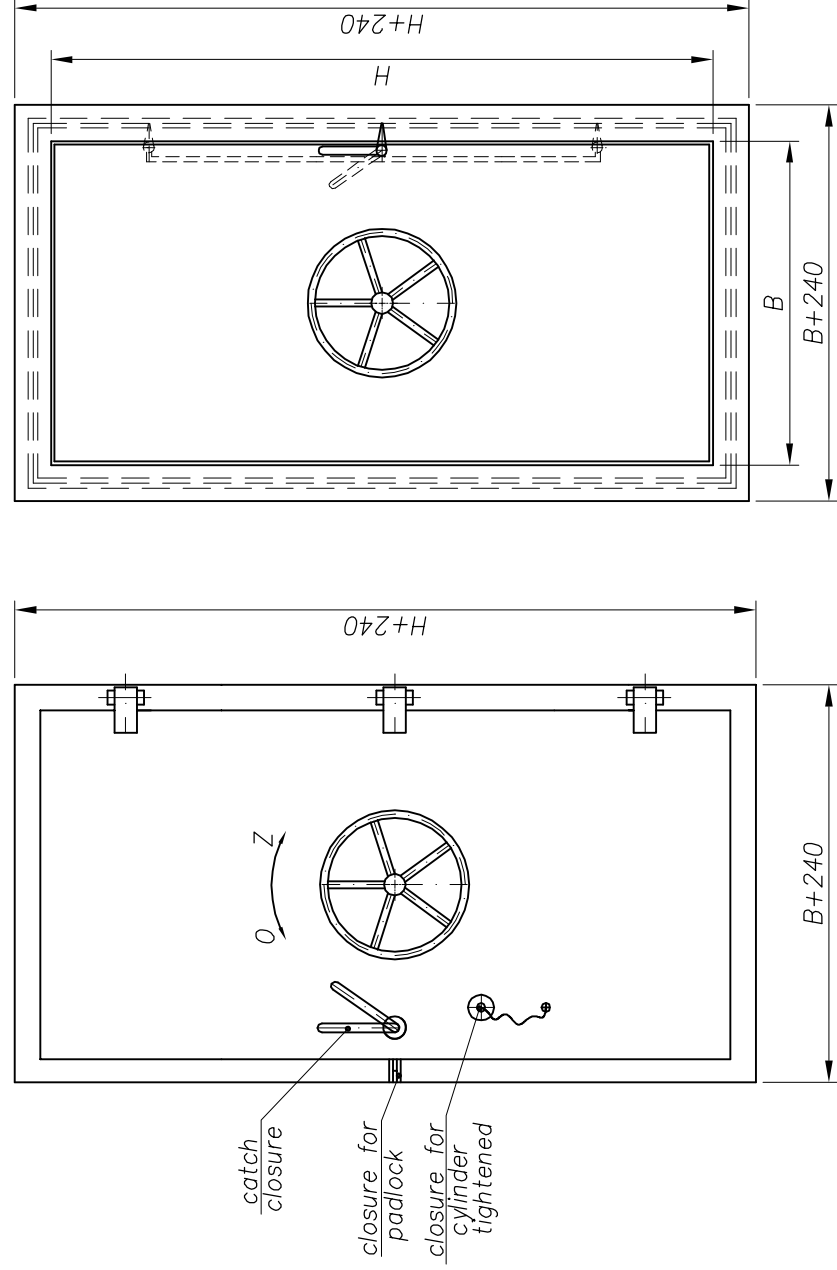
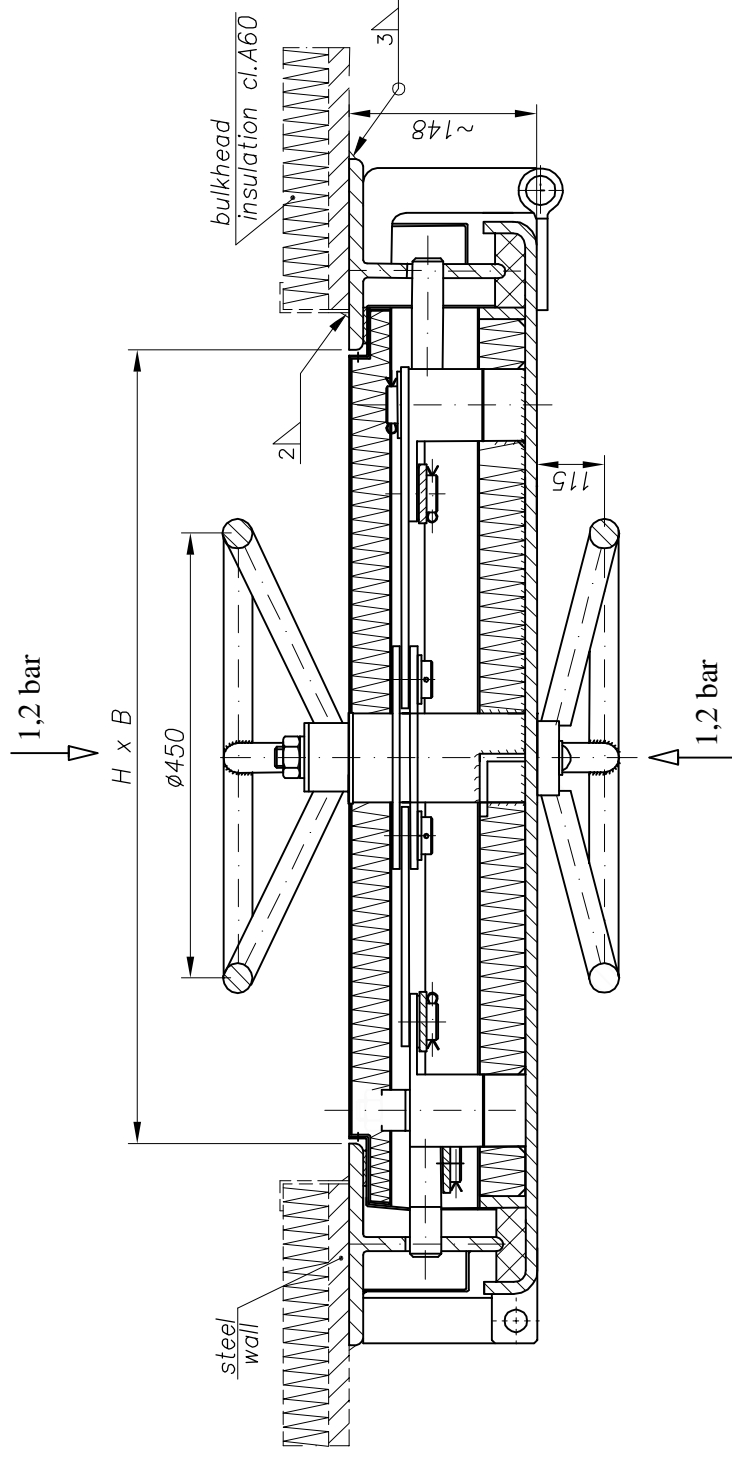


# Types of doors



Height H	B Type						
	600	650	700	750	800	850	900
1400	IV	IV	IV	IV	IV	III	III
1500	IV	IV	IV	IV	IV	III	III
1600	IV	IV	IV	IV	IV	III	III
1700	IV	IV	IV	IV	IV	III	III
1750	IV	IV	IV	IV	IV	III	III
1800	II	II	II	II	II	I	I
1850	II	II	II	II	II	I	I
1900	II	II	II	II	II	I	I
2000	II	II	II	II	II	I	I



**LUBMOR Ltd.**

Wieleńska 1 Str, 64-980 Trzcianka  
phone (067) 216-22-44  
fax (067) 216-59-40  
e-mail: lubmor@lubmor.pl  
www.lubmor.pl

**WATERTIGHT DOOR**  
**TO 1,2 bar CLASS A0 - A60**

**KK 24-08**  
**34-945A**

## WATERTIGHT DOOR A0-A60

### APPROPRIATION

This door is mainly designed for installation in steel walls of ship for pressure to 1,2 bar.

### EXECUTION

Design of the door-leaf ensures a full stiffness by using stiffeners from angle bar 50x65x7. The door is closed with central closure with gear train. Doorframe is made of T-bar T120. All elements exposed for friction (pins, sleeves) are made of stainless steel. The elements of closing devices are made of steel and galvanized. The hinges and closure are equipped with stainless steel grease nipples. In case installation of rim lock with cylinder, hole for key is protected with watertight cover.

### DELIVERY RANG

Delivery includes a complete door with fittings acc. to list as below.

### DIVISION, MARKING AND FINISHING

Varieties :

- ST - steel
- ZN - galvanized
- SN - stainless steel

Kinds :

- P - right-hand as shown on drawing
- L - left-hand as reflection

Kind of the equipment .

- 1 - without equipment
- 2 - closure for padlock
- 3 - rim lock 3240Z, bolted only from outside

Finishing :

- door-leaf and door-frame for variety ST and ZN is painted twice with epoxy primer of total thick 40 µm. Channel under gasket is additionally painted with thickcoated epoxy paint of total thickness 120 µm.

M - door-leaf painted with set of groove points acc. to RAL catalogue

### EXAMPLE OF MARKING

Watertight door class A60 of dim. 1750x750, right-hand, steel, type IV, padlock closure, rim lock, door-leaf painted acc. to RAL 8003.

**WATERTIGHT DOOR A60 1750x750 - P - ST - IV - 2 - 3 - M 8003** acc. to catalogue card no **KK24-08/34-945A**.

This catalogue card is comply with drawing no. N24-07/34-945A.